

A20-S Series 2 Way SS304 Timer Drain Valve A20-S系列两通不锈钢时间控制阀

Technical Parameters 技术参数:

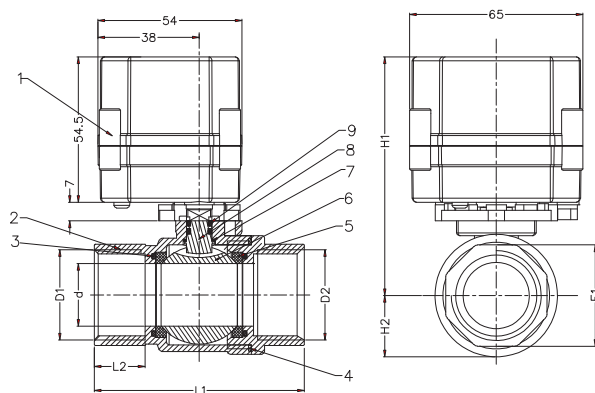
Valve size 口径	NPT/BSP 1/4" 3/8" 1/2" 3/4" 1"(Optional)
Maximum working pressure 最大工作压力	1.0 MPa
Circulation medium 介质	Fluid, air
Valve open /closed time 开关时间	≤ 5S
Working voltage 工作电压	AC/DC9-24V AC/DC110-230V (Optional)
Keeping valve open time 阀开时间范围	00:00:00~99:59:59S
Keeping valve closed time 阀关时间范围	00:00:00~99:59:59S
Working current 工作电流	≤500mA
Life time 寿命	70000 times (testing pressure is 0.4MPa,medium is water)
Valve body material 阀材质	SS304 SS316
Actuator material 执行器材质	PPO
Sealing material 密封材质	FKM & PTFE
Actuator rotation 执行器旋转角度	90°
Torque force 扭力	4N.m
Cable length 线长	0.5m,1.5m (Optional)
Environment temperature 环境温度	-15°C~50°C
Liquid temperature 液体温度	2°C~90°C
Manual override 手动功能	No
Open/close indicator 开关指示	Yes
Protection class 保护等级	IP67



S20-S2-C

Patent Certificate No:
 专利号: ZL 2012 2 0538591.4
 "Spring return" in case of power is failure
 (which is optional according to requirements)
 可选功能-断电关阀

Assemble Diagram 组装图



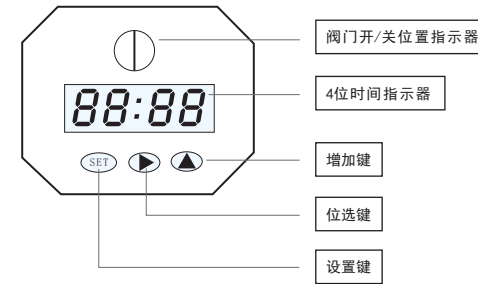
Components 组成

No.	Name	Material	Specification	Quantity
1	Actuator	PPO		1
2	Body & Cover	Stainless Steel	304	1
3	O-ring	FKM		2
4	Sealing	PTFE		1
5	Sealing	PTFE		2
6	Ball	Stainless Steel	304	1
7	Gasket	PTFE		1
8	Stem	Stainless Steel	304	1
9	O-ring	FKM		2

DESCRIPTION	D1/D2	d±0.3	L1±1	L2±1	E1±0.5	H1±1	H2
8-S2-C	1/4"	10	51	12	21	82.5	14
10-S2-C	3/8"	10	51	12	21	82.5	14
15-S2-C	1/2"	15	62	14	25	84.5	17
20-S2-C	3/4"	20	72	17	31	88	20
25-S2-C	1"	25	79	18	38	91	24.5

A20-S系列时间控制阀操作说明书

Description operator panel 面板说明:



Operating manual 操作说明:

执行器参数设置, 采用二级菜单结构
 二级菜单分别为: 功能码(一级), 功能码设定值(二级菜单), 图0是操作流程

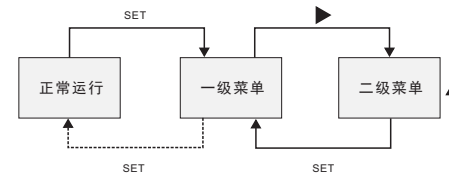


图0

Secondary menu operation flowchart 二级菜单操作流程:

功能码	内容	数值	单位	备注
ton	开阀保存时间	00:00:00-99:59:59	时:分:秒	
toFF	开阀保存时间	00:00:00-99:59:59	时:分:秒	
PonS	上电动作	On/oFF (开阀/关阀)		
Cnt	开关阀次数	0-9999	次	开始使用到查看菜单时总的工作次数

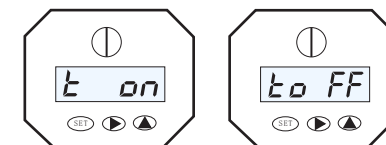


图1

图2

1、长按 **SET** 4秒进入一级菜单, 屏幕显示图1文字 (ton) 时即进入设定开阀保持时间状态, 再按一下 **SET** 屏幕显示图2 (toFF), 表示进入设定阀门关闭保持时间状态。

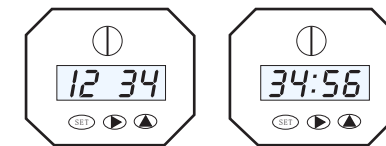


图3

图4

2、当进入设定状态后按下 **▶** 键, 表示设置的阀门保持时间 (在ton状态设置开阀保持时间, 在toFF状态设置关阀保持时间), 使用 **▶** 键选择闪烁位, 使用 **◀** 键改变数值。当时钟点 ":" 闪烁时表示设置的是 "时:分" 数据, 通过按 **▶** 改变闪烁位, 当出现时钟点 ":" 长亮时表示设置的是 "分:秒" 数据。设置完成后按 **SET**, 返回一级菜单, 再按 **SET** 可进入下一个一级菜单, 进行参数设置。

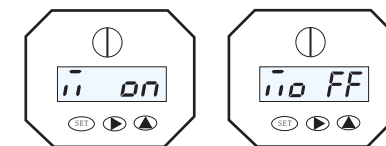


图5

图6

3、手动开关, 同时按住 **SET** 和 **▶**, 阀门显示图5, 表示手动执行开阀。同时按住 **SET** 和 **◀** 阀门显示图6, 表示手动执行关阀, 要退出手动模式再同时按住 **SET** 和 **▶** 或 **SET** 和 **◀**, 退出测试模式后执行上电动作。

4、按 **SET** 进入设置菜单, 界面显示Cnt, 按 **▶** 进入, 此时屏幕显示开关阀次数, 一开一关算一次, 手动开关阀不计数, 最多9999次。在计数界面按 **▶**, 数字闪烁, 此时按 **▶** 清空计数。

5、堵转后, 退回三次, 三次后屏幕显示ERR1, 蜂鸣器报警, 按任意键可以人工解除报警, 按 **▶** 退出报警模式。

本手册内容仅供参考, 不作为使用时的判定依据, 详细技术参数及印刷版图请登录我司网站查询: <http://www.tonheflow.cn>



公司地址: 浙江省台州市黄岩区江口街道新顺中小企业创业园3幢
 电话: 0576-81100233
 邮箱: tonhe@china-tonhe.com

A20-S Series 2 Way SS304 Timer Drain Valve A20-S系列两通不锈钢时间控制阀

Technical Parameters 技术参数:

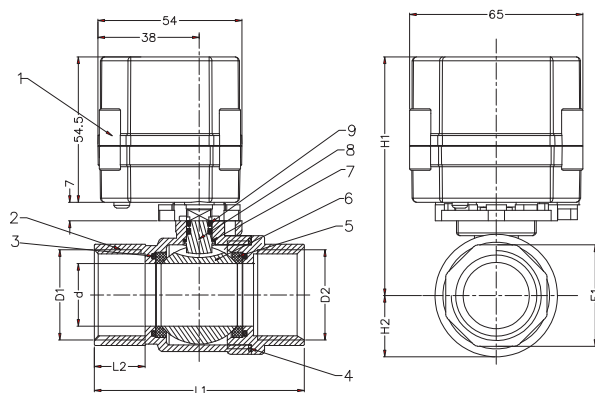
Valve size 口径	NPT/BSP 1/4" 3/8" 1/2" 3/4" 1"(Optional)
Maximum working pressure 最大工作压力	1.0 MPa
Circulation medium 介质	Fluid, air
Valve open /closed time 开关时间	≤ 5S
Working voltage 工作电压	AC/DC9-24V AC/DC110-230V (Optional)
Keeping valve open time 阀开时间范围	00:00:00~99:59:59S
Keeping valve closed time 阀关时间范围	00:00:00~99:59:59S
Working current 工作电流	≤500mA
Life time 寿命	70000 times (testing pressure is 0.4MPa,medium is water)
Valve body material 阀材质	SS304 SS316
Actuator material 执行器材质	PPO
Sealing material 密封材质	FKM & PTFE
Actuator rotation 执行器旋转角度	90°
Torque force 扭力	4N.m
Cable length 线长	0.5m,1.5m (Optional)
Environment temperature 环境温度	-15°C~50°C
Liquid temperature 液体温度	2°C~90°C
Manual override 手动功能	No
Open/close indicator 开关指示	Yes
Protection class 保护等级	IP67



S20-S2-C

Patent Certificate No:
 专利号: ZL 2012 2 0538591.4
 "Spring return" in case of power is failure
 (which is optional according to requirements)
 可选功能-断电关阀

Assemble Diagram 组装图

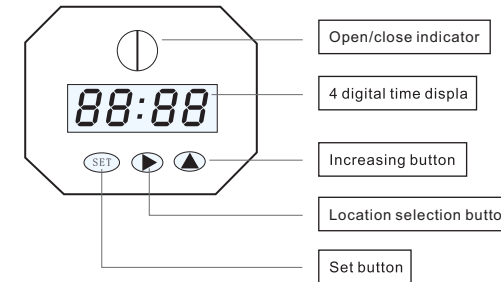


Components 组成

No.	Name	Material	Specification	Quantity
1	Actuator	PPO		1
2	Body & Cover	Stainless Steel	304	1
3	O-ring	FKM		2
4	Sealing	PTFE		1
5	Sealing	PTFE		2
6	Ball	Stainless Steel	304	1
7	Gasket	PTFE		1
8	Stem	Stainless Steel	304	1
9	O-ring	FKM		2

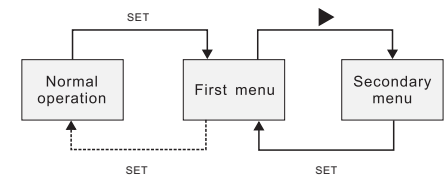
DESCRIPTION	D1/D2	d±0.3	L1±1	L2±1	E1±0.5	H1±1	H2
8-S2-C	1/4"	10	51	12	21	82.5	14
10-S2-C	3/8"	10	51	12	21	82.5	14
15-S2-C	1/2"	15	62	14	25	84.5	17
20-S2-C	3/4"	20	72	17	31	88	20
25-S2-C	1"	25	79	18	38	91	24.5

Operation Instruction of A20-S series timer drain valve
 Description operator panel :



Operating manual :

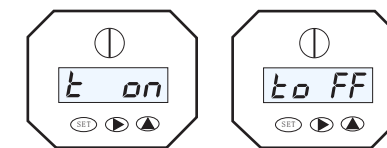
Actuator parameter setting have two menu structures on below:
 Function code (first menu),
 The setting parameters of function code (secondary menu)



Picture 0

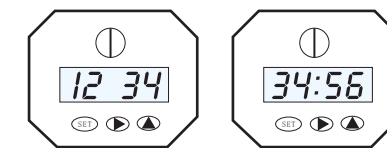
Secondary menu operation flowchart :

Function code	Content	Value	Unit	Remarks
t on	valve keeping open time	00 : 00 : 00-99 : 59 : 59	H:M:S	
t oFF	valve keeping closed time	00 : 00 : 00-99 : 59 : 59	H:M:S	
PonS	Power-on Action	0n/oFF		
Cnt	The open & close times	0-9999	times	The total number of open & close times from use to view the menu



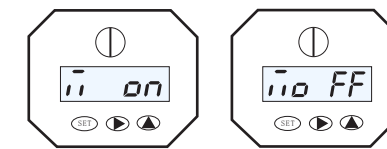
Picture1

Picture2



Picture3

Picture4



Picture5

Picture6

1、 Press **SET** 4 seconds and enter to **first menu**, the screen display picture 1 text (t on), indicating enter to set the valve keeping open state .
 Press **SET** again, the screen display picture 2 text (t oFF), indicating enter to set the valve keeping closed state .

2、 Press then the **▶** after entering the setting state, showing the valve keeping time for setting (Set the valve keeping open time in ton state. Set the valve keeping closed time in toFF state) .
 Select flashing bit by pressing **▶**, and change the numerical by pressing **▲**. When " : " is flashing, indicate setting " **HS (hours) :MS(minutes)** ", and change the flashing bit by pressing **▶**. When the " : " is bright, indicate setting " **MS(minutes) :SS(seconds)** ". The data will be deposited in the valve controller after completing the setting . Press **SET** when finish setting, will return fist menu, press **SET** again, enter to next fist menu to set parameters .

3、 Press the **SET** & **▶**, the screen display picture 5, indicating open the valve manually.
 Press the **SET** & **▲**, the screen display picture 6, indicating closed the valve manually .
 Exit manual mode to press the **SET** & **▶** or **SET** & **▲**. And go the power -on action .

4、 Press **SET** to enter the setting menu, the interface shows Cnt, Press **▶** to enter, at this time the screen shows the on-off valve, The number of times, one open and one close count, close and open valve by manually does not count, up to 9999 times. Press **▶** on the counting screen, and the number flashes. Then press **▲** to clear the counting.

5、 After three times, the screen displays ERR1 and the buzzer alarms. Press any key to manually disactivate the alarm and press **▶** to exit the alarm mode.

The manual content is not as judgment basis, please visit our website to refer the technical parameters: <http://www.tonheflow.com>



Address: No.3 Building,Xinshun Pioneer Park,Jiangkou,Huangyan Taizhou,Zhejiang,China
 Service hotline: 86-576-81100233
 E-mail: tonhe@china-tonhe.com